

# RF Switch(SP8T)



## WV-SP8T-NO-2.92-01

### Product Feature

- High Reliability
- RoHS Compliant
- DC ~ 26.5GHz Band System

### Electrical Specifications

|                             |   |           |            |              |
|-----------------------------|---|-----------|------------|--------------|
| <b>Frequency Range</b>      | DC ~ 6GHz   | 6 ~ 12GHz | 12 ~ 18GHz | 18 ~ 26.5GHz |
| <b>Insertion Loss</b>       | 0.3dB Max   | 0.4dB Max | 0.5dB Max  | 0.8dB Max    |
| <b>VSWR</b>                 | 1.3:1 Max   | 1.4:1 Max | 1.6:1 Max  | 1.9:1 Max    |
| <b>Isolation</b>            | 70dB Min  | 60dB Min  | 60dB Min   | 55dB Min     |
| <b>Power Handling</b>       | 80W Max   | 65W Max   | 50W Max    | 30W Max      |
| <b>Power Supply Voltage</b> | Part Number : WV-SP4T-NO-S-02-N1 : +12V<br>Part Number : WV-SP4T-NO-S-02-N2 : +24V<br>Part Number : WV-SP4T-NO-S-02-N3 : +28V |           |            |              |
| <b>Power Supply Current</b> | 330mA @ +12V<br>220mA @ +24V<br>140mA @ +28V  |           |            |              |
| <b>In/Out Impedance</b>     | 50 ohms Nominal   |           |            |              |
| <b>Operating Mode</b>       | Normally Open(without Termination)  |           |            |              |
| <b>Switching Time</b>       | 15mS  |           |            |              |
| <b>Operating Life</b>       | 1,000,000 Hours   |           |            |              |

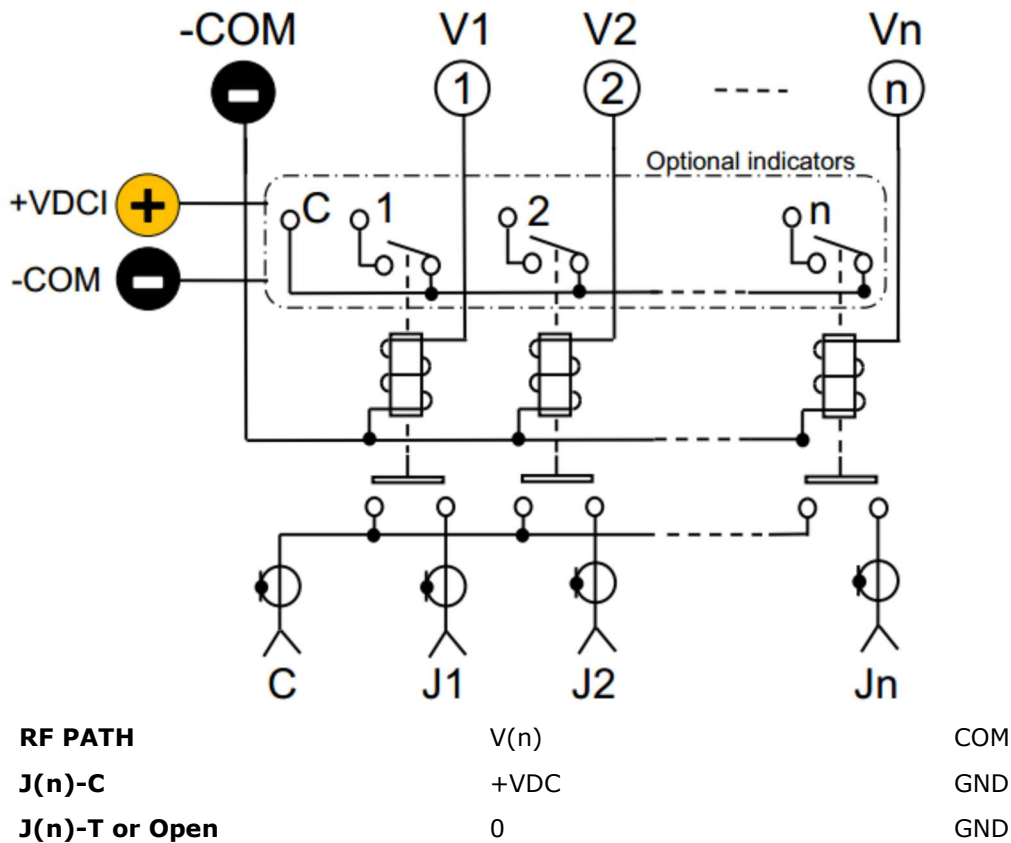
### Environmental Specifications

|                                    |                   |
|------------------------------------|-------------------|
| <b>Operating Temperature Range</b> | -25°C to +65°C    |
| <b>RF Contacts</b>                 | Break before make |

# RF Switch(SP8T)

## ELECTRICAL SCHEMATIC

### NORMALLY OPEN



## Interface(D-SUB 15PIN)

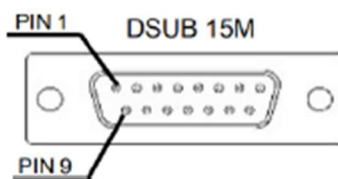
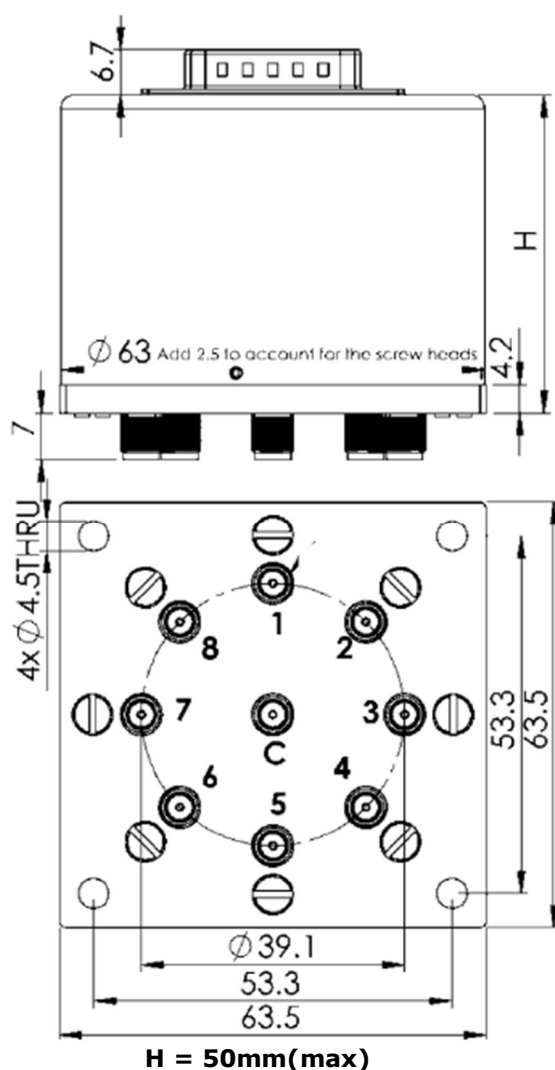
|      |        |
|------|--------|
| 1    | V1     |
| 2    | V2     |
| 3    | V3     |
| 4    | V4     |
| 5    | V5     |
| 6    | V6     |
| 7    | V7     |
| 8    | V8     |
| 9    | COM-   |
| 8-15 | Unused |

# RF Switch(SP8T)

## Mechanical Specifications

|                           |                               |
|---------------------------|-------------------------------|
| <b>Dimension</b>          | 63.5 x 63.5 x 50.0 (Unit:mm), |
| <b>Mounting Points</b>    | See Outline Drawing           |
| <b>RF Connector</b>       | 2.92mm Female Connector       |
| <b>Connector Position</b> | See Outline Drawing           |

## Outline Drawing



**Dsub arrangements**